





BT136 Bath Screen

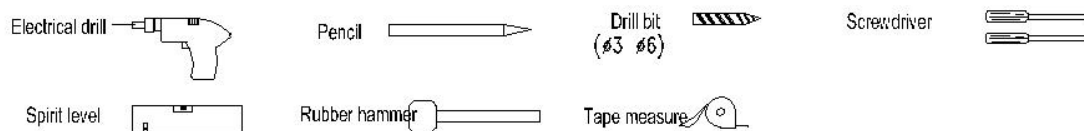
Instructions and User Manual

Packing List:

1.Wall plug 3PCs	2.ST4X40 Screw 3PCs	3.Screw cap 3PCs	4.ST4X12Screw 3PCs	5.Wall profile 1Pc
				
6.Glass screen 1PC	7.Door handle 1Pair	Bottom watertight strip 1PC		
				

Installation Preparations:

Required Tools:



Checking

Make sure that the floor is leveled and solid and will be able to support the total weight of the unit and its occupant.

Please insure that prior to the installation the floor is leveled and the walls are at right angles. While some adjustment in leveling of the tray is possible, irregular floor level or improper angle of side walls will result in serious problems for your installation.

Silkscreen design side or frosted side is toward outside.

After opening the case, check the packed parts carefully to see whether any part missing or damaged. If the unit has been damaged or has a finishing defect, please contact your local dealer or the manufacturer directly for service.

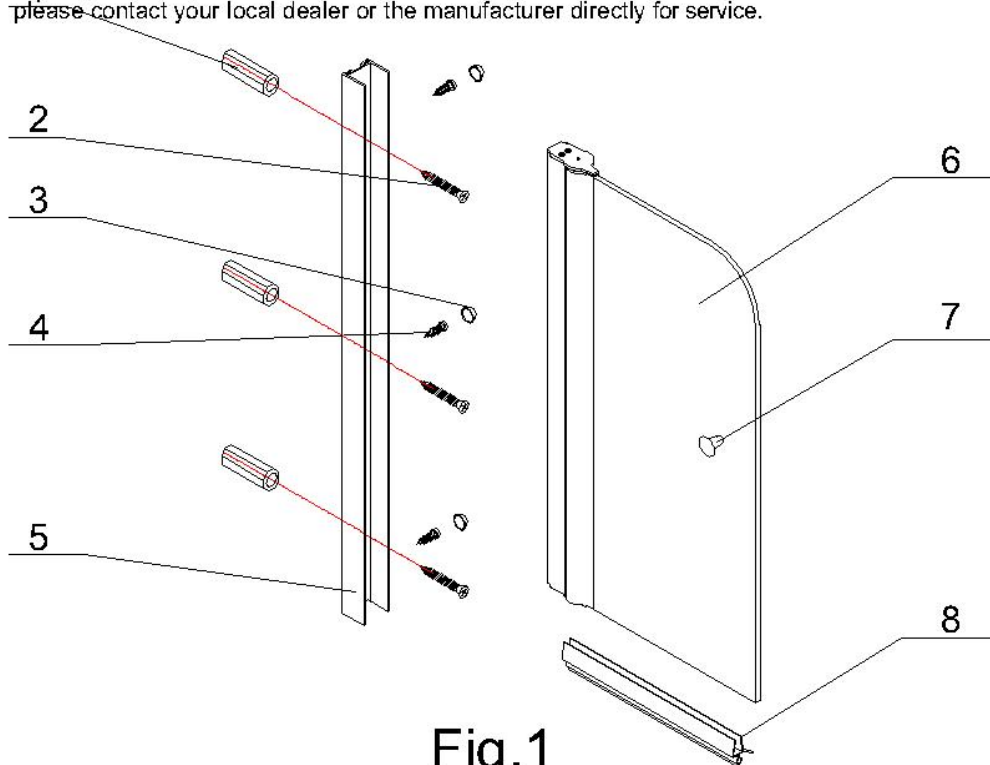


Fig.1

Installation Process

Step1. Insert the glass screen (#6 in Packing List) into the wall profile (#5 in PL), place the assembled glass screen at the installation position on the tub, check and calibrate it with spirit level to make sure it is vertical both to wall and floor. Mark the holes for the wall profile (#5 in PL) with pencil, then remove the glass screen (#6 in PL) and drill holes. Fasten the wall profile (#5 in PL) to the wall tightly with wall plug (#1 in PL) and ST4*40 screw (#2 in PL). (See fig.2)

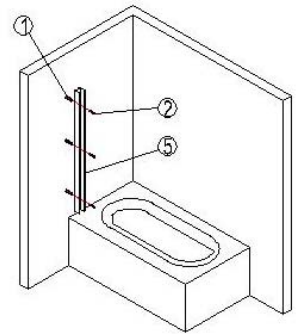


Fig.2

Step2. Attach the glass screen (#6 in PL) to the wall profile (#5 in PL) and level it. Screw them tight with ST4*12 screw (#4 in PL) and put screw cap (#3 in PL). Install door handle (#7 in PL) and bottom watertight strip (#8 in PL) to the glass screen (#6 in PL). See fig.3

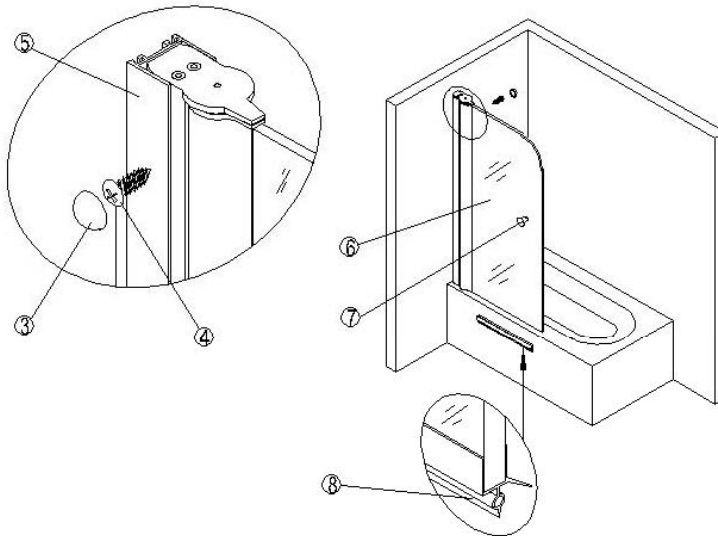


Fig.3

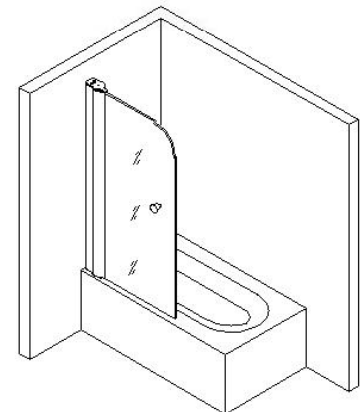


Fig.4

Sealing and Clean

Clean the hinges and glass using mild detergent after installation completes.
(See fig.4)

Use and Maintenance

1. Don't open or close the door forcefully to avoid damage to the shower unit. Apply some lubricate to the hinges (axis) every one months.
2. Never use acid or alkaline solution or hard article to clean the aluminum frame and glass surface.
3. Check the shower unit periodically for part damage or screw loosening. Contact local dealer or manufacturer for service if necessary.