













# BT236 Bath Screen

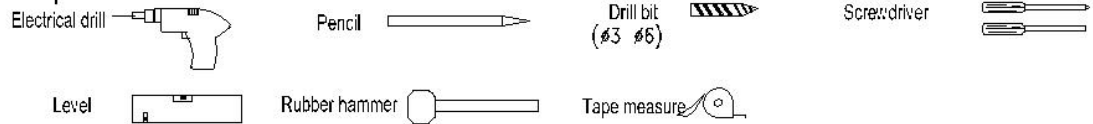
## Installation Instruction and Manual

### Part List:

1.Wall Plug 4PCs	2.ST4X40 Screw 4PCs	3.Screw cap 6PCs	4.Wall profile 1PC	5.ST4X12 Screw 6 PCs
				
6.Fixed panel 1PC	7.Wall mounting bracket 1Pc	8.stay bar 1PC	9.Corner block 1PC	10.Glass door 1PC
				
11.Bottom waterproof strip 1PC	12.H-shape water-proof strip 1PC			
				

### Installation Preparation:

#### Required Tools



#### Checking

After open the box, please check carefully the listed parts to see anything missing or any damage occur during the transport. Contact the local dealer or manufacturer for service.

Painted or frosted surface of glass faces outside of shower.

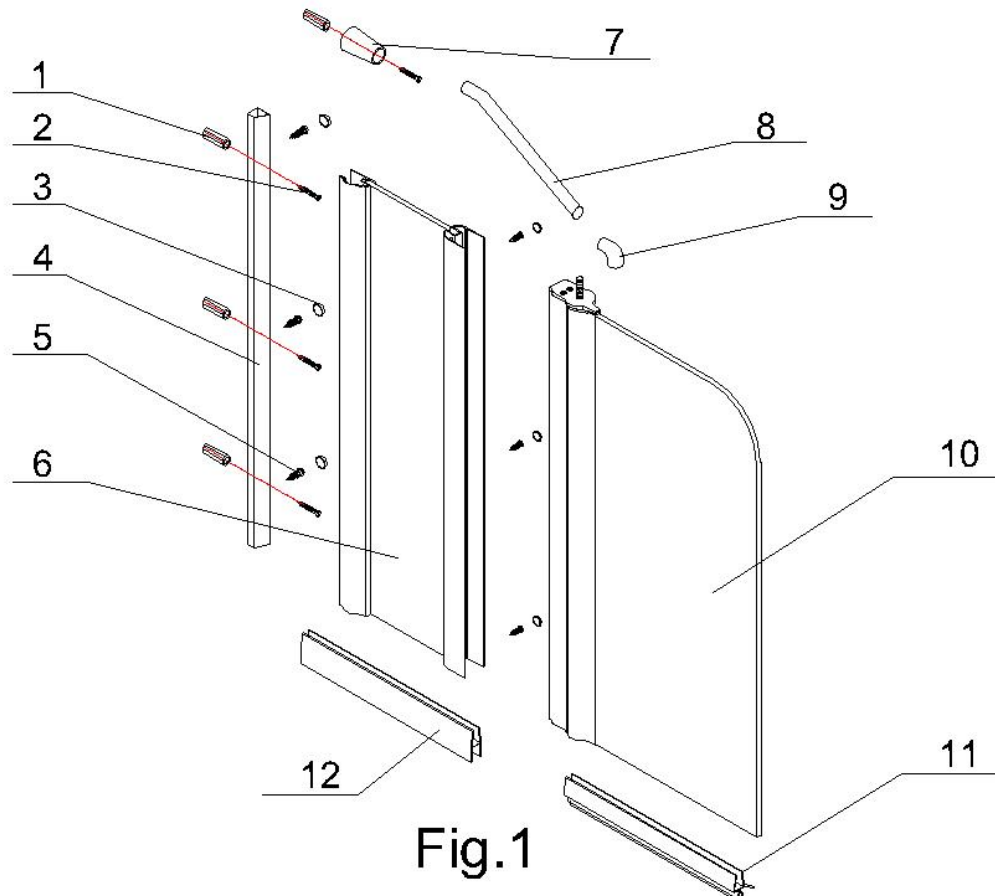


Fig.1

## Installation process:

Step1.Insert the wall profile (#4 in Part List) into the fixing glass profile (#6), Attach the H-shape waterproof strip (#12 in PL) to fixing glass. Place the assembled fixing glass at the installation position, check and calibrate the fixing glass (#16 in PL) with spirit level to make sure it is plumb both to wall and floor. Mark the holes for the wall profile with pencil, then remove the fixing glass profile and drill holes. Fasten the wall profile (#4 in PL) to the wall tightly with wall plug (#1 in PL) and ST4\*40 screw (#2 in PL). (See fig.2 and 3)

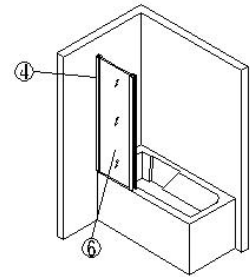


Fig.2

Step2: Screw the wall profile (#4 in PL) and fixed panel profile with ST4\*12 screws. Attach the screw cap. See Fig.4

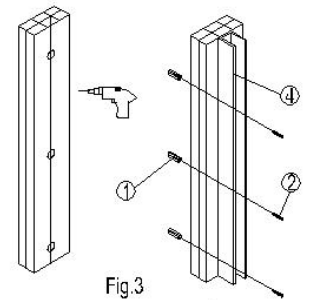


Fig.3

Step3: Fix the glass door (#10 in PL) to the fixed panel profile with ST4\*12 screws. Attach the screw cap. See Fig.5

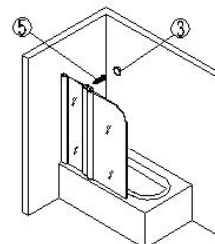


Fig.5

Step4: Fasten support stay bar to the wall with ST4\*40 screw and wall plug (1 in PL).

Attach bottom waterproof door strip (#11 in PL) See Fig.6

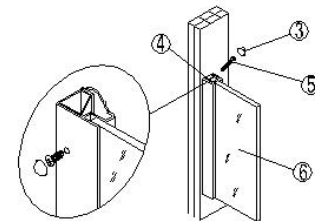


Fig.4

## Sealing and Clean:

Apply transparent silicone sealant to the perimeter of fixing glass (horizontally between bottom of fixing glass and tub). Clean the aluminum profiles and glass using mild detergent. (See fig.7)

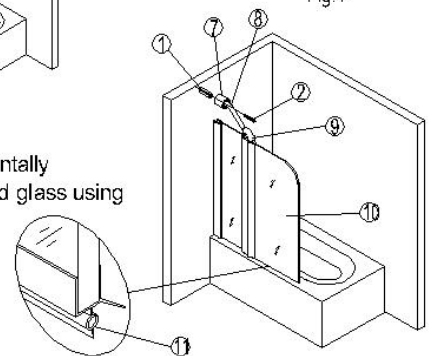


Fig.6

## Use and Maintenance:

1. Don't open or close the door forcefully to avoid damage to the shower enclosure. Apply some lubricate to the hinges (axis) every one months.
2. Never use acid or alkaline solution or hard article to clean the aluminum frame and glass surface.
3. Check the shower enclosure periodically for part damage or screw loosening. Contact local dealer or manufacturer for service if necessary.

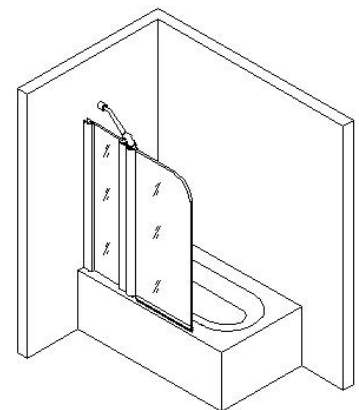


Fig.7