

BT290 Shower Enclosure

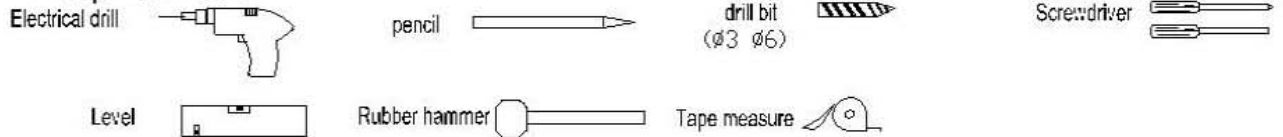
Installation Instruction and Manual

Part List

1.Connection fitting(left) 2pcs	2.Screw cap 6pcs	3.ST4X12 screw 6pcs	4.Wall plug 6pcs	5.ST4X40screw 6pcs
6.Wall profile 2pcs	7.Fixed panel profile 1pc	8.Fixed panel 1pc	9.U-shaped strip 2pcs	10.Fixed panel stop 2pcs
11.Running track 2pcs	12.waterproof strip 2pcs	13.double wheels 2pcs	14.Glass door 1pc	15.Door handle 1pair
16.connection fitting (r.ght) 2pcs	17.ST3.5X30 screw 8pcs	18.wall profile cover 2pcs	19.Wide fixed panel profile 1pc	20.Spring wheel 2pcs

Installation Preparation:

Required Tools



Checking:

Please carefully check the listed parts to see whether anything missing or damage occurs during the transport.
Contact the local dealer or manufacturer for service.
Painted or frosted surface of the glass faces the outside of shower.

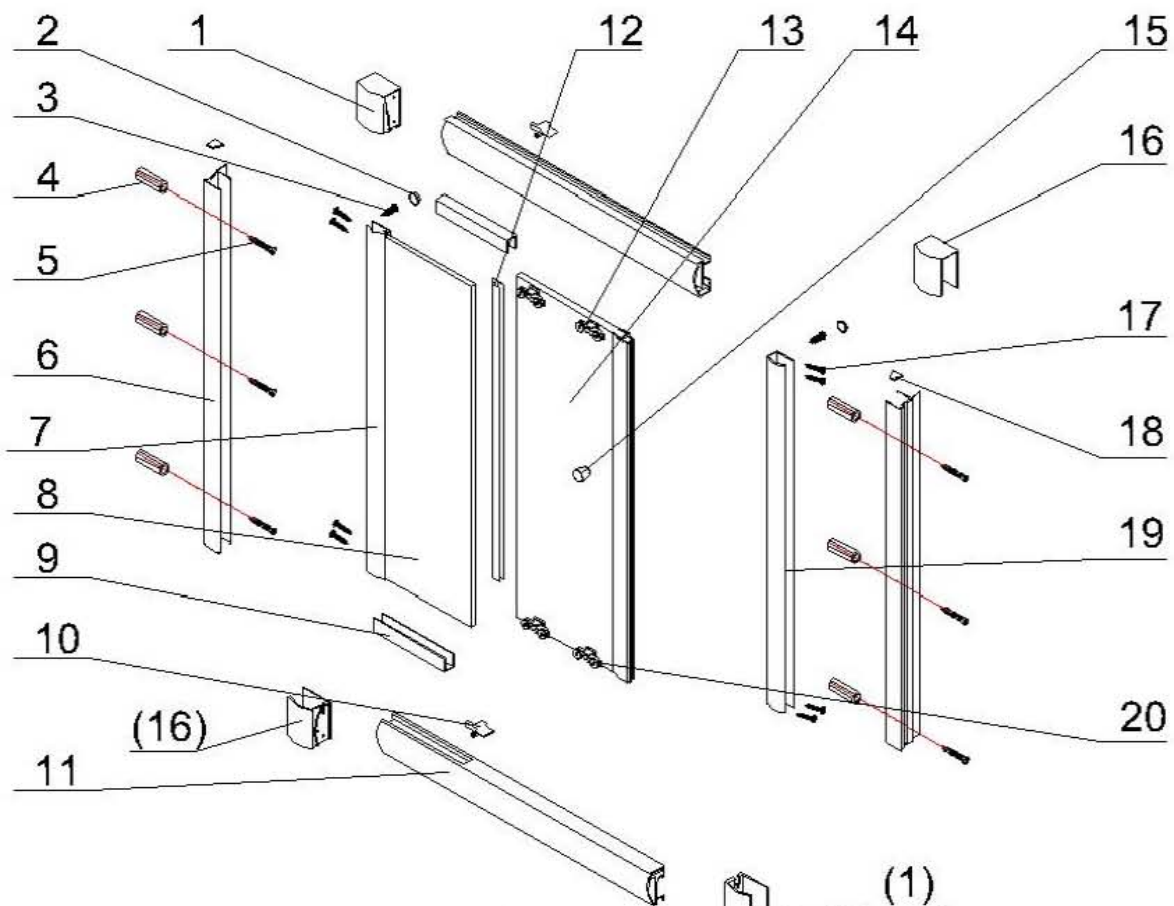


Fig.1

Installation Process:

Step1. Put the marble base or tray at the designated position and level it. Install all the required plumbing and drainage prior to installation. (See fig.2)

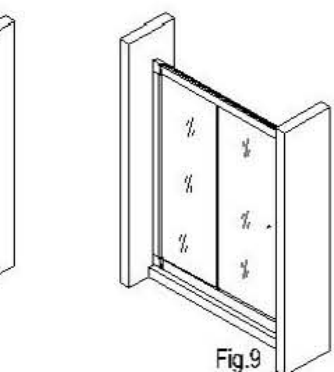
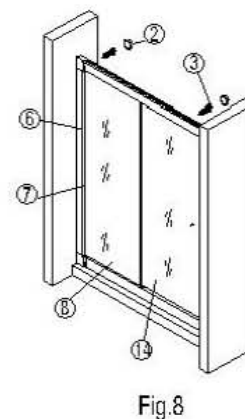
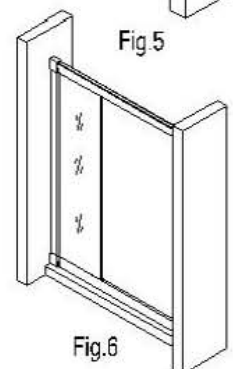
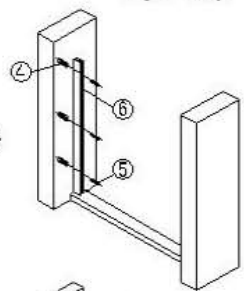
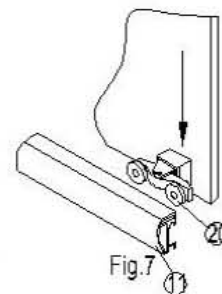
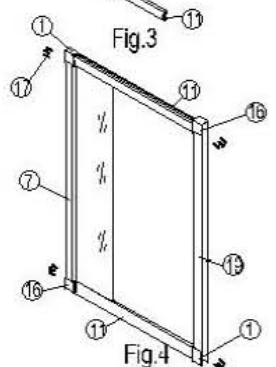
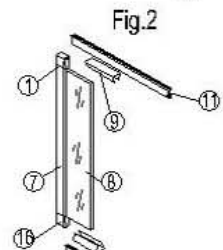
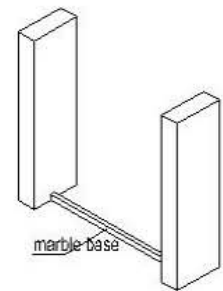
Step2. Put the cover (#1, #16 in part list) on the fixed panel profile (#7 and #19 in PL). Attach the U-shaped strip (#9 in PL) to fixed panel (#8 in PL), then insert the fixed panel into bottom running track (#11 in PL). Fix the top running track. See fig.3

Step3. Connect the fixed panel (#7, #19 in PL) and running track (#11 in PL) with ST3.5*30 screw (#17 in PL). Insert the wall profile (#6 in PL) into the assembled profiles. Put the assembled profile on the marble base, make sure it is plumb both to wall and floor. Mark the holes for the wall profile with pencil. Fasten the wall profiles to wall with ST4*40 screw and wall plug (#4 in PL). See fig.4, Fig5, Fig6

Step4. Install the glass door on the top running track (#11 in PL). Press down the spring wheel so that the glass door (#14 in PL) can be fixed on bottom running track (#11 in PL). See fig.7

Step5. Attach the waterproof strip (#12 in PL) to right side of fixed panel and left side of glass door. Install the door handle on the glass door.

Step6. Make sure the glass door can close and open smoothly. Drill the inside of fixed panel profiles (#7, #17 in PL) through the wall profiles. Screw them tight with ST4*12 (#3 in PL). Attach screw cap. See Fig.8



Adjustment:

If the door can not close perfectly or loose, adjust the screw on the double wheel upwards or downwards. Or knock slightly the aluminum channel with magnetic till the glass doors can close perfectly.

Sealing and Cleaning:

Apply transparent silicone sealant around the perimeter of fixed panels (horizontally between bottoms of fixed panel and side fixed panel and tray or marble base. Clean the aluminum profile and glass panels using mild detergent. (See fig.9)

Use and Maintenance:

1. Don't open or close the door forcefully to avoid damage to the unit. Apply some lubricate to the rollers every one months.
2. Never use acid or alkaline solution or hard article to clean the aluminum frame and glass surface.
3. Check the shower door periodically for part damage or screw loosening. Contact local dealer or manufacturer for service.